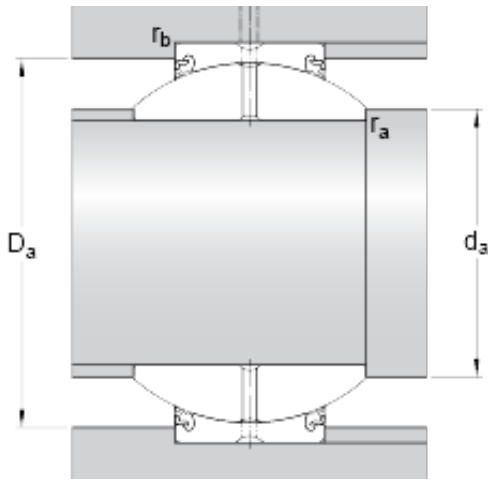




# SNR BEARING CORP.OF AMERICA



114.3 mm x 196.85 mm x 119.126 mm skf  
 GEZH 408 ESX-2LS Radial spherical plain bearings

Bearing No. GEZH 408 ESX-2LS

GEZH 408 ESX-2LS Bearing 2D drawings and 3D CAD models

Lubricant	Maintenance free – greased for life
Design (sliding contact surface combination)	Steel/steel
Sealing solution	Triple-lip seals
d	114.3 mm
D	196.85 mm
B	119.126 mm
C	95.25 mm
	9 °
d <sub>k</sub>	182.626 mm
b	11 mm
b <sub>1</sub>	10 mm
M	8 mm
r <sub>1</sub> min.	2 mm
r <sub>2</sub> min.	1.1 mm
d <sub>a</sub> min.	126 mm
d <sub>a</sub> max.	138.4 mm
D <sub>a</sub> min.	175.5 mm
D <sub>a</sub> max.	188.5 mm
r <sub>a</sub> max.	2 mm
r <sub>b</sub> max.	1.1 mm
Basic dynamic load rating C	2080 kN
Basic static load rating C <sub>0</sub>	4150 kN
Specific dynamic load factor K	150 N/mm <sup>2</sup>



## SNR BEARING CORP.OF AMERICA

Specific static load factor $K_0$	300 N/mm <sup>2</sup>
Material constant $K_M$	330
Mass plain bearing	16.5 kg