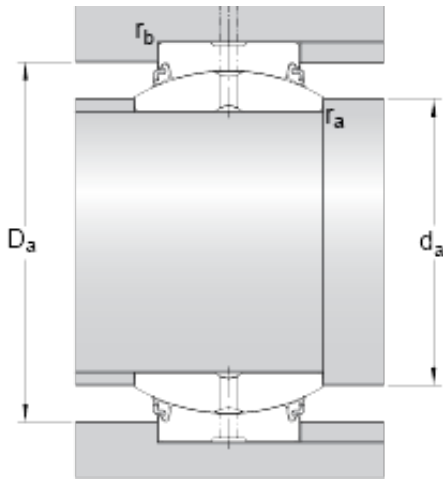




SNR BEARING CORP.OF AMERICA



20 mm x 35 mm x 16 mm skf GE 20 ESX-2LS Radial spherical plain bearings

Bearing No. GE 20 ESX-2LS

GE 20 ESX-2LS Bearing 2D drawings and 3D CAD models

Lubricant	Maintenance free – greased for life
Design (sliding contact surface combination)	Steel/steel
Sealing solution	Triple-lip seals
d	20 mm
D	35 mm
B	16 mm
C	12 mm
	9 °
d _k	29 mm
b	3.1 mm
b ₁	3.1 mm
M	2 mm
r ₁ min.	0.3 mm
r ₂ min.	0.3 mm
d _a min.	22.1 mm
d _a max.	24.2 mm
D _a min.	30.9 mm
D _a max.	33.2 mm
r _a max.	0.3 mm
r _b max.	0.3 mm
Basic dynamic load rating C	44 kN
Basic static load rating C ₀	146 kN
Specific dynamic load factor K	150 N/mm ²



SNR BEARING CORP.OF AMERICA

Specific static load factor K_0	500 N/mm ²
Material constant K_M	330
Mass plain bearing	0.065 kg