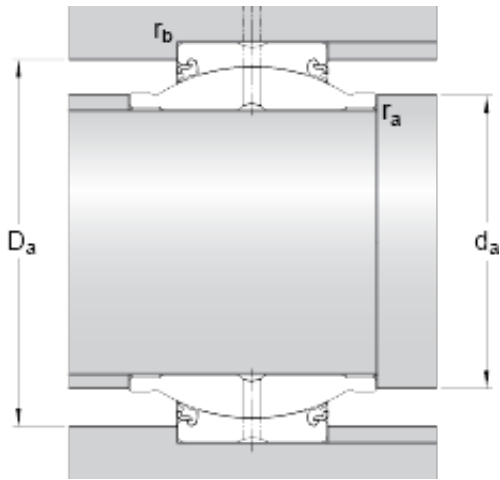




SNR BEARING CORP.OF AMERICA



45 mm x 68 mm x 40 mm skf GEM 45 ESL-2LS Radial spherical plain bearings

Bearing No. GEM 45 ESL-2LS

GEM 45 ESL-2LS Bearing 2D drawings and 3D CAD models

Lubricant	Regular relubrication – grease
Design (sliding contact surface combination)	Steel/steel, heavy-duty bearing
Sealing solution	Triple-lip seals
d	45 mm
D	68 mm
B	40 mm
C	25 mm
	4 °
d _k	60 mm
d ₁	52 mm
b	4.6 mm
b ₁	4.6 mm
M	3 mm
r ₁ min.	0.6 mm
r ₂ min.	1 mm
d _a min.	49.6 mm
d _a max.	52 mm
D _a min.	61 mm
D _a max.	63.6 mm
r _a max.	0.6 mm
r _b max.	1 mm
Basic dynamic load rating C	127 kN
Basic static load rating C ₀	640 kN
Specific dynamic load factor	100 N/mm ²



SNR BEARING CORP.OF AMERICA

K	
Specific static load factor K_0	500 N/mm ²
Material constant K_M	330
Mass plain bearing	0.49 kg