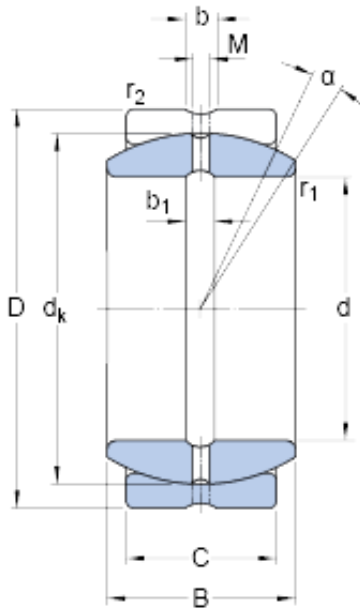




# SNR BEARING CORP.OF AMERICA

19.05 mm x 31.75 mm x 16.662 mm skf GEZ  
012 ES Radial spherical plain bearings

Bearing No. GEZ 012 ES



GEZ 012 ES Bearing 2D drawings and 3D CAD models

Size	31.75x19.05x16.662 mm
Bore Diameter	31,75 mm
Outer Diameter	19,05 mm
Width	16,662 mm
d	19.05 mm
D	31.75 mm
B	16.662 mm
C	14.275 mm
	6 °
d <sub>k</sub>	27.432 mm
b	3.2 mm
b <sub>1</sub>	3 mm
M	2.5 mm
r <sub>1</sub> - min.	0.3 mm
r <sub>2</sub> - min.	1 mm
d <sub>a</sub> - min.	20.9 mm
d <sub>a</sub> - max.	21.8 mm
D <sub>a</sub> - min.	26.1 mm
D <sub>a</sub> - max.	28.3 mm
r <sub>a</sub> - max.	0.3 mm
r <sub>b</sub> - max.	1 mm
Basic dynamic load rating - C	31.5 kN
Basic static load rating - C <sub>0</sub>	93 kN
Specific factor dinamic load - K	100 N/mm <sup>2</sup>



## SNR BEARING CORP.OF AMERICA

Specific factor static load - $K_0$	300 N/mm <sup>2</sup>
Constant - $K_M$	330
Category	Spherical Plain Bearings - Radial
Inventory	0.0
Manufacturer Name	SKF
Minimum Buy Quantity	N/A
Weight / Kilogram	0.053
EAN	7316576612190
Product Group	B04264
Self Aligning	Yes
Rolling Element	Spherical Plain
Material - Outer Member	Steel
Material - Ball	Steel
Material - Liner	Not Applicable
Relubricatable	Yes
Enclosure	Open
Other Features	2 Piece   Lubrication Hole and an Annular Groove in Both Rings
Long Description	3/4" Bore; 9/16" Housing Width; 1-1/4" Outside Diameter; Steel Outer Member; Steel Ball; No Liner; 21/32" Overall Width; Relubricatable
Inch - Metric	Inch
Category	Plain Bearings Spherical Radial
UNSPSC	31171515
Harmonized Tariff Code	8483.30.80.70
Noun	Bearing
Keyword 3	Spherical
Keyword String	Plain Spherical Radial



## SNR BEARING CORP.OF AMERICA

Manufacturer URL	<a href="http://www.skf.com">http://www.skf.com</a>
Manufacturer Item Number	GEZ 012 ES
Weight / LBS	0.121
Bore	0.75 Inch   19.05 Millimeter
Outside Diameter	1.25 Inch   31.75 Millimeter
Housing Width	0.562 Inch   14.275 Millimeter
Overall Width	0.656 Inch   16.662 Millimeter
bore diameter:	0.7500 in
outer ring width:	0.5620 in
outside diameter:	1.2500 in
grade:	Commercial/Industrial
misalignment angle:	6 °
overall width:	0.6560 in
inner ring width:	0.6560 in
radial static load capacity:	20907 lbf
bearing type:	Radial
radial dynamic load capacity:	7081 lbf
lubrication type:	Requires Lubrication
operating temperature range:	-50 to +200 ° C ° F
closure type:	Open
weight:	0.12 lb
outer ring material:	Chrome Steel
manufacturer product page:	<a href="#">Click here</a>
inner ring material:	Chrome Steel
manufacturer upc number:	7316576612190
Lubricant	Regular relubrication – grease
Design (sliding contact surface combination)	Steel/steel
Sealing solution	-



## SNR BEARING CORP.OF AMERICA

	6 °
$d_k$	27.432 mm
$b_1$	3 mm
$r_1$ min.	0.3 mm
$r_2$ min.	1 mm
$d_a$ min.	20.9 mm
$d_a$ max.	21.8 mm
$D_a$ min.	26.1 mm
$D_a$ max.	28.3 mm
$r_a$ max.	0.3 mm
$r_b$ max.	1 mm
Basic dynamic load rating C	31.5 kN
Basic static load rating $C_0$	93 kN
Specific dynamic load factor K	100 N/mm <sup>2</sup>
Specific static load factor $K_0$	300 N/mm <sup>2</sup>
Material constant $K_M$	330
Mass plain bearing	0.055 kg