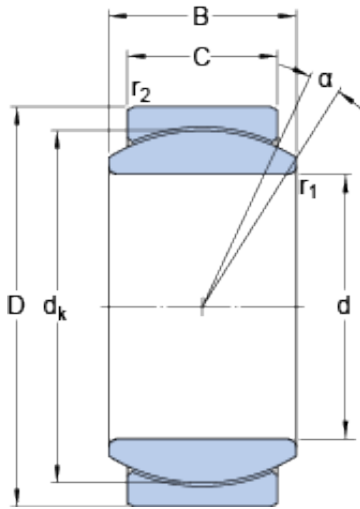




SNR BEARING CORP.OF AMERICA



45 mm x 68 mm x 32 mm skf GE 45 CJ2 Radial spherical plain bearings

Bearing No. GE 45 CJ2

GE 45 CJ2 Bearing 2D drawings and 3D CAD models

Size	68x45x32 mm
Bore Diameter	68 mm
Outer Diameter	45 mm
Width	32 mm
d	45 mm
D	68 mm
B	32 mm
C	25 mm
	7 °
dk	60 mm
r ₁ - min.	0.6 mm
r ₂ - min.	1 mm
d _a - min.	49 mm
d _a - max.	50.8 mm
D _a - min.	57 mm
D _a - max.	64.2 mm
r _a - max.	0.6 mm
r _b - max.	1 mm
Basic dynamic load rating - C	127 kN
Basic static load rating - C ₀	320 kN
Specific factor dinamic load - K	100 N/mm ²
Specific factor static load - K ₀	250 N/mm ²
Constant - K _M	1400



SNR BEARING CORP.OF AMERICA

Lubricant	Maintenance free – dry lubrication
Design (sliding contact surface combination)	Steel/PTFE sintered bronze
Sealing solution	-
	7 °
d_k	60 mm
r_1 min.	0.6 mm
r_2 min.	1 mm
d_a min.	49 mm
d_a max.	50.8 mm
D_a min.	57 mm
D_a max.	64.2 mm
r_a max.	0.6 mm
r_b max.	1 mm
Basic dynamic load rating C	127 kN
Basic static load rating C_0	320 kN
Specific dynamic load factor K	100 N/mm ²
Specific static load factor K_0	250 N/mm ²
Material constant K_M	1400
Mass plain bearing	0.46 kg