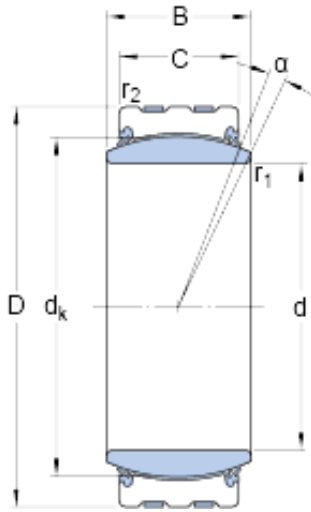




SNR BEARING CORP.OF AMERICA



320 mm x 440 mm x 160 mm skf GEC 320 TXA-2RS Radial spherical plain bearings

Bearing No. GEC 320 TXA-2RS

GEC 320 TXA-2RS Bearing 2D drawings and 3D CAD models

Size	440x320x160 mm
Bore Diameter	440 mm
Outer Diameter	320 mm
Width	160 mm
d	320 mm
D	440 mm
B	160 mm
C	135 mm
	4 °
dk	380 mm
r ₁ - min.	1.1 mm
r ₂ - min.	3 mm
d _a - min.	337 mm
d _a - max.	344 mm
D _a - min.	376 mm
D _a - max.	414 mm
r _a - max.	1 mm
r _b - max.	3 mm
Basic dynamic load rating - C	14000 kN
Basic static load rating - C ₀	23200 kN
Specific factor dinamic load - K	300 N/mm ²
Specific factor static load - K ₀	500 N/mm ²
Category	Spherical Plain Bearings -



SNR BEARING CORP.OF AMERICA

	Radial
Inventory	0.0
Manufacturer Name	SKF
Minimum Buy Quantity	N/A
Weight / Kilogram	85.684
EAN	7316571875538
Product Group	B04264
Self Aligning	Yes
Rolling Element	Spherical Plain
Material - Outer Member	Steel
Material - Ball	Steel
Material - Liner	Teflon
Relubricatable	No
Enclosure	2 Seals
Other Features	2 Piece Axially Split Outer Ring Chrome Plated Ball Self Lubricating Double Lip Seals
Long Description	320MM Bore; 135MM Housing Width; 440MM Outside Diameter; Spherical Plain; Steel Outer Member; Steel Ball; Teflon Liner; 160MM Overall Width; Not Relubricatable
Inch - Metric	Metric
Category	Plain Bearings Spherical Radial
UNSPSC	31171515
Harmonized Tariff Code	8483.30.80.70
Noun	Bearing
Keyword 3	Spherical
Keyword String	Plain Spherical Radial
Manufacturer URL	http://www.skf.com
Manufacturer Item Number	GEC 320 TXA-2RS



SNR BEARING CORP.OF AMERICA

Weight / LBS	165.347
Outside Diameter	17.323 Inch 440 Millimeter
Bore	12.598 Inch 320 Millimeter
Overall Width	6.299 Inch 160 Millimeter
Housing Width	5.315 Inch 135 Millimeter
bore diameter:	320 mm
inner ring material:	Steel
outside diameter:	440 mm
outer ring width:	135 mm
misalignment angle:	4 °
race material:	PTFE Fabric
inner ring width:	160 mm
overall width:	160 mm
bearing type:	Radial
radial static load capacity:	23000 kN
lubrication type:	Maintenance Free/Self-Lubricating
radial dynamic load capacity:	14000 kN
closure type:	Sealed
operating temperature range:	-35 to +100 ° C ° F
outer ring material:	Steel
manufacturer upc number:	7316571875538
Lubricant	Maintenance free – dry lubrication
Design (sliding contact surface combination)	Steel/PTFE fabric
Sealing solution	Double-lip seals
	4 °
d_k	380 mm
r_1 min.	1.1 mm
r_2 min.	3 mm
d_a min.	337 mm



SNR BEARING CORP.OF AMERICA

d_a max.	344 mm
D_a min.	376 mm
D_a max.	414 mm
r_a max.	1 mm
r_b max.	3 mm
Basic dynamic load rating C	14000 kN
Basic static load rating C_0	23200 kN
Specific dynamic load factor K	300 N/mm ²
Specific static load factor K_0	500 N/mm ²
Mass plain bearing	75 kg