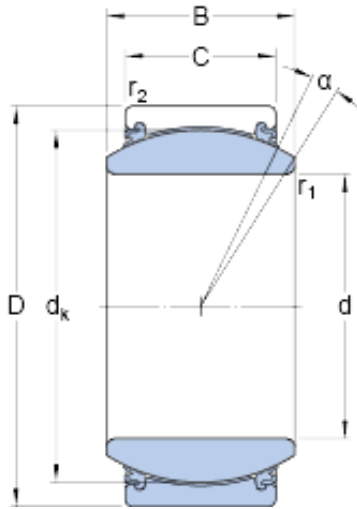




SNR BEARING CORP.OF AMERICA



60 mm x 90 mm x 44 mm skf GE 60 TXE-2LS
Radial spherical plain bearings

Bearing No. GE 60 TXE-2LS

GE 60 TXE-2LS Bearing 2D drawings and 3D CAD models

Size	90x60x44 mm
Bore Diameter	90 mm
Outer Diameter	60 mm
Width	44 mm
d	60 mm
D	90 mm
B	44 mm
C	36 mm
	6 °
d _k	80 mm
r ₁ - min.	1 mm
r ₂ - min.	1 mm
d _a - min.	66.5 mm
d _a - max.	66.8 mm
D _a - min.	80 mm
D _a - max.	84 mm
r _a - max.	1 mm
r _b - max.	1 mm
Basic dynamic load rating - C	695 kN
Basic static load rating - C ₀	1160 kN
Specific factor dinamic load - K	300 N/mm ²
Specific factor static load - K ₀	500 N/mm ²
Category	Spherical Plain Bearings -



SNR BEARING CORP.OF AMERICA

	Radial
Inventory	0.0
Manufacturer Name	SKF
Minimum Buy Quantity	N/A
Weight / Kilogram	1.1
EAN	7316571875507
Product Group	B04264
Self Aligning	Yes
Rolling Element	Spherical Plain
Material - Outer Member	Steel
Material - Ball	Steel
Material - Liner	Teflon
Relubricatable	No
Enclosure	2 Seals
Other Features	2 Piece Maintenance Free Chrome Plated Ball Self Lubricating Triple Lip Heavy Duty Seals
Long Description	60MM Bore; 36MM Housing Width; 90MM Outside Diameter; Spherical Plain; Steel Outer Member; Steel Ball; Teflon Liner; 44MM Overall Width; Not Relubricatable
Inch - Metric	Metric
Category	Plain Bearings Spherical Radial
UNSPSC	31171515
Harmonized Tariff Code	8483.30.80.70
Noun	Bearing
Keyword 3	Spherical
Keyword String	Plain Spherical Radial
Manufacturer URL	http://www.skf.com
Manufacturer Item Number	GE 60 TXE-2LS



SNR BEARING CORP.OF AMERICA

Weight / LBS	2.425
Outside Diameter	3.543 Inch 90 Millimeter
Bore	2.362 Inch 60 Millimeter
Overall Width	1.732 Inch 44 Millimeter
Housing Width	1.417 Inch 36 Millimeter
bore diameter:	60 mm
outer ring width:	36 mm
outside diameter:	90 mm
grade:	Commercial/Industrial
misalignment angle:	6 °
race material:	PTFE Composite
inner ring width:	44 mm
overall width:	44 mm
bearing type:	Radial
radial static load capacity:	1160 kN
lubrication type:	Maintenance Free/Self-Lubricating
radial dynamic load capacity:	695 kN
closure type:	Triple Lip Seals
operating temperature range:	-50 to +150 ° C ° F
outer ring material:	Chrome Steel
manufacturer upc number:	7316571875507
inner ring material:	Chrome Steel
Lubricant	Maintenance free – dry lubrication
Design (sliding contact surface combination)	Steel/PTFE fabric
Sealing solution	Triple-lip seals
	6 °
d _k	80 mm
r ₁ min.	1 mm
r ₂ min.	1 mm



SNR BEARING CORP.OF AMERICA

d_a min.	66.5 mm
d_a max.	66.8 mm
D_a min.	80 mm
D_a max.	84 mm
r_a max.	1 mm
r_b max.	1 mm
Basic dynamic load rating C	695 kN
Basic static load rating C_0	1160 kN
Specific dynamic load factor K	300 N/mm ²
Specific static load factor K_0	500 N/mm ²
Mass plain bearing	1 kg