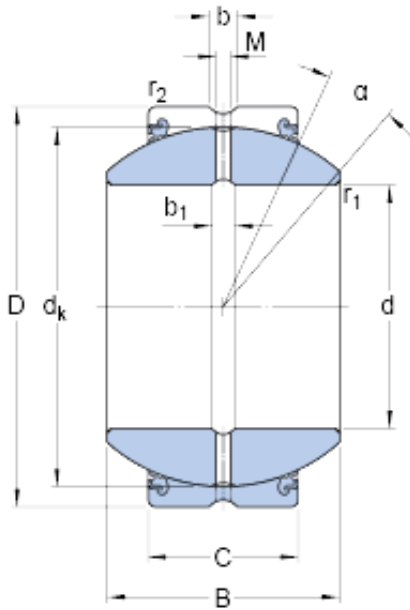




SNR BEARING CORP.OF AMERICA

38.1 mm x 71.438 mm x 40.132 mm skf GEZH 108 ES-2LS Radial spherical plain bearings



GEZH 108 ES-2LS Bearing 2D drawings and 3D CAD models

Bearing No. GEZH 108 ES-2LS

Size	71.438x38.1x40.132 mm
Bore Diameter	71,438 mm
Outer Diameter	38,1 mm
Width	40,132 mm
d	38.1 mm
D	71.438 mm
B	40.132 mm
C	33.325 mm
	7 °
d _k	63.881 mm
b	4.8 mm
b ₁	5 mm
M	4 mm
r ₁ - min.	1 mm
r ₂ - min.	1 mm
d _a - min.	42.8 mm
d _a - max.	49.7 mm
D _a - min.	61.3 mm
D _a - max.	67.4 mm
r _a - max.	1 mm
r _b - max.	1 mm
Basic dynamic load rating - C	170 kN
Basic static load rating - C ₀	510 kN
Specific factor dinamic load - K	100 N/mm ²



SNR BEARING CORP.OF AMERICA

Specific factor static load - K_0	300 N/mm ²
Constant - K_M	330
Lubricant	Regular relubrication – grease
Design (sliding contact surface combination)	Steel/steel
Sealing solution	Triple-lip seals
	7 °
d_k	63.881 mm
b_1	5 mm
r_1 min.	1 mm
r_2 min.	1 mm
d_a min.	42.8 mm
d_a max.	49.7 mm
D_a min.	61.3 mm
D_a max.	67.4 mm
r_a max.	1 mm
r_b max.	1 mm
Basic dynamic load rating C	170 kN
Basic static load rating C_0	510 kN
Specific dynamic load factor K	100 N/mm ²
Specific static load factor K_0	300 N/mm ²
Material constant K_M	330
Mass plain bearing	0.79 kg