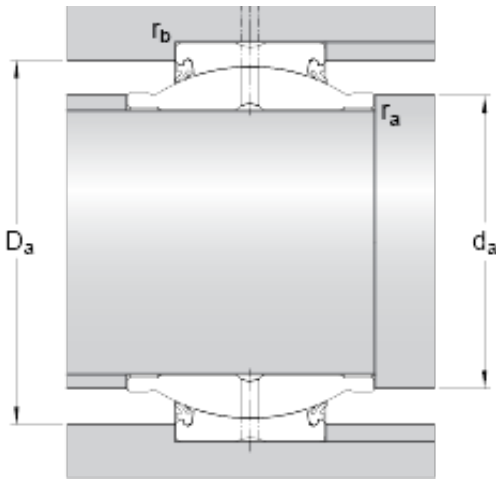




SNR BEARING CORP.OF AMERICA



57.15 mm x 90.488 mm x 85.725 mm skf GEZM 204 ES-2RS Radial spherical plain bearings

Bearing No. GEZM 204 ES-2RS

GEZM 204 ES-2RS Bearing 2D drawings and 3D CAD models

Lubricant	Regular relubrication – grease
Design (sliding contact surface combination)	Steel/steel
Sealing solution	Double-lip seals
d	57.15 mm
D	90.488 mm
B	85.725 mm
C	42.85 mm
	5 °
d _k	82.169 mm
d ₁	70.104 mm
b	5.7 mm
b ₁	5 mm
M	4 mm
r ₁ min.	1 mm
r ₂ min.	1 mm
d _a min.	63.1 mm
d _a max.	70.1 mm
D _a min.	79 mm
D _a max.	85.3 mm
r _a max.	1 mm
r _b max.	1 mm
Basic dynamic load rating C	280 kN
Basic static load rating C ₀	850 kN
Specific dynamic load factor	100 N/mm ²



SNR BEARING CORP.OF AMERICA

K	
Specific static load factor K_0	300 N/mm ²
Material constant K_M	330
Mass plain bearing	1.65 kg