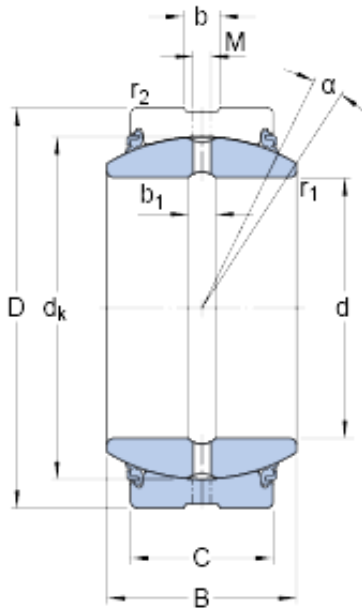




SNR BEARING CORP.OF AMERICA

240 mm x 340 mm x 140 mm skf GE 240 ESX-2LS Radial spherical plain bearings

Bearing No. GE 240 ESX-2LS



GE 240 ESX-2LS Bearing 2D drawings and 3D CAD models

Size	340x240x140 mm
Bore Diameter	340 mm
Outer Diameter	240 mm
Width	140 mm
d	240 mm
D	340 mm
B	140 mm
C	100 mm
	8 °
d _k	300 mm
b	15.5 mm
b ₁	15.5 mm
M	7 mm
r ₁ - min.	1.1 mm
r ₂ - min.	1.1 mm
d _a - min.	252.5 mm
d _a - max.	265 mm
D _a - min.	298 mm
D _a - max.	329.5 mm
r _a - max.	1 mm
r _b - max.	1 mm
Basic dynamic load rating - C	3800 kN
Basic static load rating - C ₀	12700 kN
Specific factor dinamic load - K	150 N/mm ²



SNR BEARING CORP.OF AMERICA

Specific factor static load - K_0	500 N/mm ²
Constant - K_M	330
Lubricant	Maintenance free – greased for life
Design (sliding contact surface combination)	Steel/steel
Sealing solution	Triple-lip seals
	8 °
d_k	300 mm
b_1	15.5 mm
r_1 min.	1.1 mm
r_2 min.	1.1 mm
d_a min.	252.5 mm
d_a max.	265 mm
D_a min.	298 mm
D_a max.	329.5 mm
r_a max.	1 mm
r_b max.	1 mm
Basic dynamic load rating C	3800 kN
Basic static load rating C_0	12700 kN
Specific dynamic load factor K	150 N/mm ²
Specific static load factor K_0	500 N/mm ²
Material constant K_M	330
Mass plain bearing	40 kg