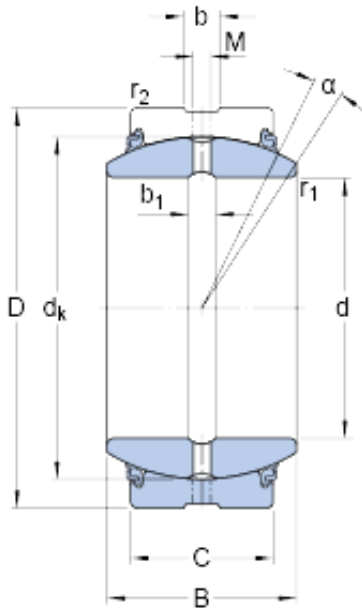




# SNR BEARING CORP.OF AMERICA

82.55 mm x 130.175 mm x 72.238 mm skf GEZ  
304 ES-2LS Radial spherical plain bearings

Bearing No. GEZ 304 ES-2LS



GEZ 304 ES-2LS Bearing 2D drawings and 3D CAD models

Size	130.175x82.55x72.238 mm
Bore Diameter	130,175 mm
Outer Diameter	82,55 mm
Width	72,238 mm
d	82.55 mm
D	130.175 mm
B	72.238 mm
C	61.9 mm
	6 °
d <sub>k</sub>	118.745 mm
b	9.3 mm
b <sub>1</sub>	8 mm
M	6.5 mm
r <sub>1</sub> - min.	0.6 mm
r <sub>2</sub> - min.	1 mm
d <sub>a</sub> - min.	88 mm
d <sub>a</sub> - max.	94.2 mm
D <sub>a</sub> - min.	114.2 mm
D <sub>a</sub> - max.	124.4 mm
r <sub>a</sub> - max.	0.6 mm
r <sub>b</sub> - max.	1 mm
Basic dynamic load rating - C	585 kN
Basic static load rating - C <sub>0</sub>	1760 kN
Specific factor dinamic load - K	100 N/mm <sup>2</sup>



## SNR BEARING CORP.OF AMERICA

Specific factor static load - $K_0$	300 N/mm <sup>2</sup>
Constant - $K_M$	330
Lubricant	Regular relubrication – grease
Design (sliding contact surface combination)	Steel/steel
Sealing solution	Triple-lip seals
	6 °
$d_k$	118.745 mm
$b_1$	8 mm
$r_1$ min.	0.6 mm
$r_2$ min.	1 mm
$d_a$ min.	88 mm
$d_a$ max.	94.2 mm
$D_a$ min.	114.2 mm
$D_a$ max.	124.4 mm
$r_a$ max.	0.6 mm
$r_b$ max.	1 mm
Basic dynamic load rating C	585 kN
Basic static load rating $C_0$	1760 kN
Specific dynamic load factor K	100 N/mm <sup>2</sup>
Specific static load factor $K_0$	300 N/mm <sup>2</sup>
Material constant $K_M$	330
Mass plain bearing	3.8 kg