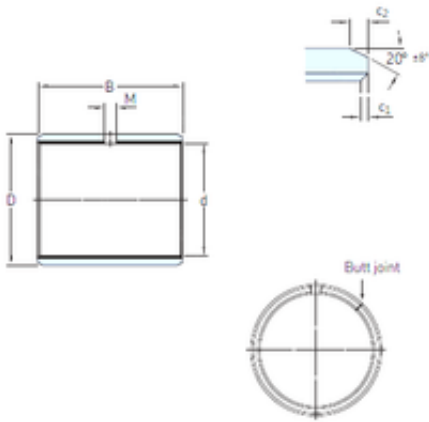




SNR BEARING CORP.OF AMERICA

12 mm x 14 mm x 25 mm skf PCM 121425 E Plain bearings,Bushings



Bearing No. PCM 121425 E

Size	12x14x25 mm
Bore Diameter	12 mm
Outer Diameter	14 mm
Width	25 mm
d	12 mm
D	14 mm
B	25 mm
c1 min	0,1 mm
c2 min	0,2 mm
M	– mm
Weight	0,0076 Kg
Basic dynamic load rating (C)	24 kN
Category	Bearings
Inventory	0.0
Manufacturer Name	SKF
Minimum Buy Quantity	N/A
UNSPSC	31171515
Weight / Kilogram	0.008
Product Group	B04264
c ₁ min.	0.1 mm
c ₁ max.	0.6 mm
c ₂ min.	0.2 mm
c ₂ max.	1 mm
± 8	20 °
Tolerance shaft	f7

PCM 121425 E Bearing 2D drawings and 3D CAD models



SNR BEARING CORP.OF AMERICA

Tolerance housing	H7
Basic dynamic load rating - radial direction C	24 kN
Basic static load rating - radial direction C_0	75 kN
Specific dynamic load factor K	80 N/mm ²
Specific static load factor K_0	250 N/mm ²
Factor depending on material and bearing type K_M	480
Permissible sliding velocity v min.	0 m/s
Permissible sliding velocity v max.	2 m/s
Coefficient of friction μ min.	0.03
Coefficient of friction μ max.	0.25
Mass bushing	0.0076 kg