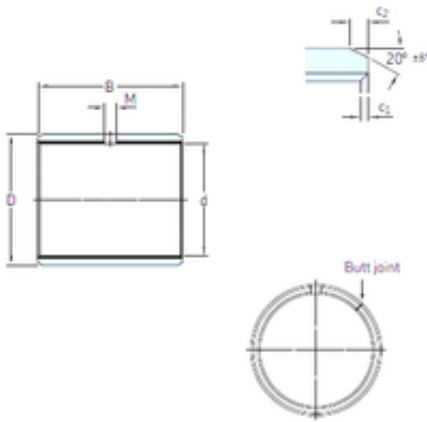




SNR BEARING CORP.OF AMERICA

20 mm x 23 mm x 10 mm skf PCM 202310 M Plain bearings, Bushings



Bearing No. PCM 202310 M

Size	20x23x10 mm
Bore Diameter	20 mm
Outer Diameter	23 mm
Width	10 mm
d	20 mm
D	23 mm
B	10 mm
c1 min	0,1 mm
c2 min	0,2 mm
M	– mm
Weight	0,0064 Kg
Basic dynamic load rating (C)	22 kN
c ₁ min.	0.1 mm
c ₁ max.	0.7 mm
c ₂ min.	0.2 mm
c ₂ max.	1 mm
± 8	20 °
Tolerance shaft	h8
Tolerance housing	H7
Basic dynamic load rating - radial direction C	22 kN
Basic static load rating - radial direction C ₀	45.5 kN
Specific dynamic load factor K	120 N/mm ²
Specific static load factor K ₀	250 N/mm ²

PCM 202310 M Bearing 2D drawings and 3D CAD models



SNR BEARING CORP.OF AMERICA

Factor depending on material and bearing type K_M	1900
Permissible sliding velocity v min.	0 m/s
Permissible sliding velocity v max.	2.5 m/s
Coefficient of friction μ min.	0.02
Coefficient of friction μ max.	0.2
Mass bushing	0.0064 kg