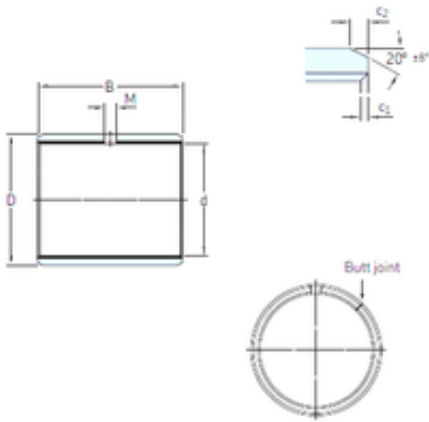




# SNR BEARING CORP.OF AMERICA

## 3 mm x 4,5 mm x 6 mm skf PCM 030406 E/VB055 Plain bearings, Bushings



Bearing No. PCM 030406 E/VB055

Size	3x4.5x6 mm
Bore Diameter	3 mm
Outer Diameter	4,5 mm
Width	6 mm
d	3 mm
D	4,5 mm
B	6 mm
c1 min	0,1 mm
c2 min	0,2 mm
M	– mm
Weight	0,0004 Kg
Basic dynamic load rating (C)	1,43 kN
Category	Bearings
Inventory	0.0
Manufacturer Name	SKF
Minimum Buy Quantity	N/A
Weight / Kilogram	0
Product Group	B04264
c <sub>1</sub> min.	0.1 mm
c <sub>1</sub> max.	0.4 mm
c <sub>2</sub> min.	0.2 mm
c <sub>2</sub> max.	0.8 mm
± 8	20 °
Tolerance shaft	f7
Tolerance housing	H7

PCM 030406 E/VB055 Bearing 2D drawings and 3D CAD models



## SNR BEARING CORP.OF AMERICA

Basic dynamic load rating - radial direction C	1.43 kN
Basic static load rating - radial direction C <sub>0</sub>	4.5 kN
Specific dynamic load factor K	80 N/mm <sup>2</sup>
Specific static load factor K <sub>0</sub>	250 N/mm <sup>2</sup>
Factor depending on material and bearing type K <sub>M</sub>	480
Permissible sliding velocity v min.	0 m/s
Permissible sliding velocity v max.	2 m/s
Coefficient of friction μ min.	0.03
Coefficient of friction μ max.	0.25
Mass bushing	0.0004 kg