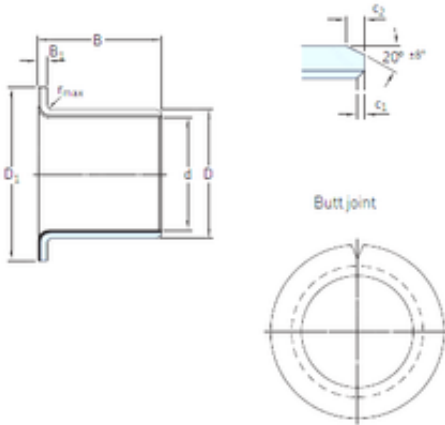




# SNR BEARING CORP.OF AMERICA

## 15 mm x 17 mm x 17 mm skf PCMF 151717 E Plain bearings,Bushings



Bearing No. PCMF 151717 E

PCMF 151717 E Bearing 2D drawings and 3D CAD models

Size	15x17x17 mm
Bore Diameter	15 mm
Outer Diameter	17 mm
Width	17 mm
d	15 mm
D	17 mm
B	17 mm
c1 min	0,1 mm
c2 min	0,2 mm
r max	1 mm
B1	1 mm
D1	23 mm
Weight	0,0076 Kg
Dynamic load rating radial (C)	18 kN
Dynamic load rating axial (C)	10,4 kN
Static load rating radial (C0)	56 kN
Category	Plain Bearings
Inventory	0.0
Manufacturer Name	SKF
Minimum Buy Quantity	N/A
Weight / Kilogram	0.208
EAN	7316571890647
Product Group	B04264
D <sub>1</sub>	23 mm



## SNR BEARING CORP.OF AMERICA

$B_1$	1 mm
$c_1$ min.	0.1 mm
$c_1$ max.	0.6 mm
$c_2$ min.	0.2 mm
$c_2$ max.	1 mm
$\pm 8$	20 °
r max.	1 mm
Tolerance shaft	f7
Tolerance housing	H7
Basic dynamic load rating - radial direction C	18 kN
Basic static load rating - radial direction $C_0$	56 kN
Basic dynamic load rating - axial direction $C_a$	10.4 kN
Basic static load rating - axial direction $C_{0a}$	32.5 kN
Specific dynamic load factor K	80 N/mm <sup>2</sup>
Specific static load factor $K_0$	250 N/mm <sup>2</sup>
Factor depending on material and bearing type $K_M$	480
Permissible sliding velocity v min.	0 m/s
Permissible sliding velocity v max.	2 m/s
Coefficient of friction $\mu$ min.	0.03
Coefficient of friction $\mu$ max.	0.25
Mass bushing	0.0076 kg