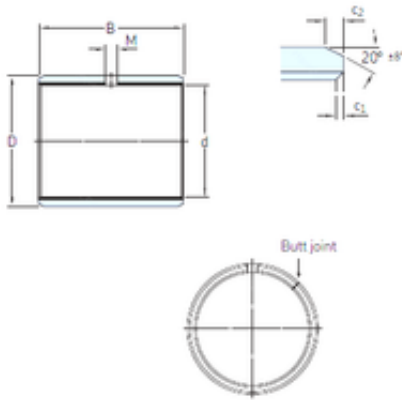




SNR BEARING CORP.OF AMERICA

50,8 mm x 55,563 mm x 63,5 mm skf PCZ 3240
E Plain bearings, Bushings



Bearing No. PCZ 3240 E

Size	50.8x55.563x63.5 mm
Bore Diameter	50,8 mm
Outer Diameter	55,563 mm
Width	63,5 mm
d	50,8 mm
D	55,563 mm
B	63,5 mm
c1 min	0,2 mm
c2 min	1,2 mm
M	– mm
Weight	0,19 Kg
Basic dynamic load rating (C)	255 kN
c ₁ min.	0.2 mm
c ₁ max.	1 mm
c ₂ min.	1.2 mm
c ₂ max.	2.4 mm
± 8	20 °
Shaft diameter range min.	50.721 mm
Shaft diameter range max.	50.767 mm
Housing bore range min.	55.552 mm
Housing bore range max.	55.583 mm
Basic dynamic load rating - radial direction C	255 kN
Basic static load rating - radial direction C ₀	800 kN

PCZ 3240 E Bearing 2D drawings and 3D CAD models



SNR BEARING CORP.OF AMERICA

Specific dynamic load factor K	80 N/mm ²
Specific static load factor K ₀	250 N/mm ²
Factor depending on material and bearing type K _M	480
Permissible sliding velocity v min.	0 m/s
Permissible sliding velocity v max.	2 m/s
Coefficient of friction μ min.	0.03
Coefficient of friction μ max.	0.25
Mass bushing	0.19 kg