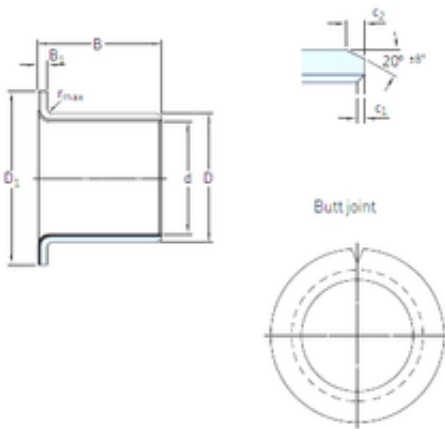




SNR BEARING CORP.OF AMERICA

18 mm x 20 mm x 22 mm skf PCMF 182022 E
Plain bearings, Bushings



Bearing No. PCMF 182022 E

PCMF 182022 E Bearing 2D drawings and 3D CAD models

Size	18x20x22 mm
Bore Diameter	18 mm
Outer Diameter	20 mm
Width	22 mm
d	18 mm
D	20 mm
B	22 mm
c1 min	0,1 mm
c2 min	0,2 mm
r max	1 mm
B1	1 mm
D1	26 mm
Weight	0,012 Kg
Dynamic load rating radial (C)	28 kN
Dynamic load rating axial (C)	9,3 kN
Static load rating radial (C0)	88 kN
Category	Bearings
Inventory	0.0
Manufacturer Name	SKF
Minimum Buy Quantity	N/A
Weight / Kilogram	0.011
Product Group	B04264
D ₁	26 mm
B ₁	1 mm



SNR BEARING CORP.OF AMERICA

c ₁ min.	0.1 mm
c ₁ max.	0.6 mm
c ₂ min.	0.2 mm
c ₂ max.	1 mm
± 8	20 °
r max.	1 mm
Tolerance shaft	f7
Tolerance housing	H7
Basic dynamic load rating - radial direction C	28 kN
Basic static load rating - radial direction C ₀	88 kN
Basic dynamic load rating - axial direction C _a	9.3 kN
Basic static load rating - axial direction C _{0a}	29 kN
Specific dynamic load factor K	80 N/mm ²
Specific static load factor K ₀	250 N/mm ²
Factor depending on material and bearing type K _M	480
Permissible sliding velocity v min.	0 m/s
Permissible sliding velocity v max.	2 m/s
Coefficient of friction μ min.	0.03
Coefficient of friction μ max.	0.25
Mass bushing	0.011 kg