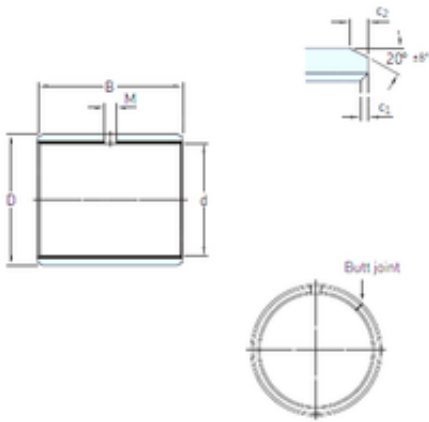




SNR BEARING CORP.OF AMERICA

45 mm x 50 mm x 20 mm skf PCM 455020 E Plain bearings,Bushings



Bearing No. PCM 455020 E

Size	45x50x20 mm
Bore Diameter	45 mm
Outer Diameter	50 mm
Width	20 mm
d	45 mm
D	50 mm
B	20 mm
c1 min	0,2 mm
c2 min	1,2 mm
M	– mm
Weight	0,065 Kg
Basic dynamic load rating (C)	69,5 kN
Category	Plain Bearings
Inventory	0.0
Manufacturer Name	SKF
Minimum Buy Quantity	N/A
Weight / Kilogram	0.619
EAN	7316571896199
Product Group	B04264
c ₁ min.	0.2 mm
c ₁ max.	1 mm
c ₂ min.	1.2 mm
c ₂ max.	2.4 mm
± 8	20 °
Tolerance shaft	f7

PCM 455020 E Bearing 2D drawings and 3D CAD models



SNR BEARING CORP.OF AMERICA

Tolerance housing	H7
Basic dynamic load rating - radial direction C	69.5 kN
Basic static load rating - radial direction C ₀	216 kN
Specific dynamic load factor K	80 N/mm ²
Specific static load factor K ₀	250 N/mm ²
Factor depending on material and bearing type K _M	480
Permissible sliding velocity v min.	0 m/s
Permissible sliding velocity v max.	2 m/s
Coefficient of friction μ min.	0.03
Coefficient of friction μ max.	0.25
Mass bushing	0.065 kg