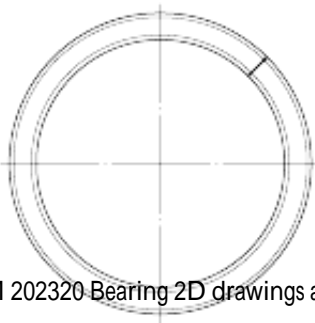
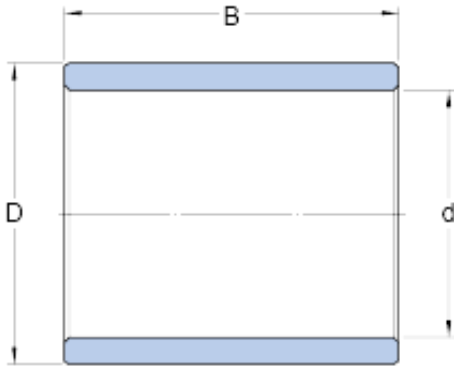




# SNR BEARING CORP.OF AMERICA



PRM 202320 Bearing 2D drawings and 3D CAD models

20 mm x 23 mm x 20 mm skf PRM 202320 Plain bearings, Bushings

Bearing No. PRM 202320

|  |                       |
|--|-----------------------|
| d  | 20 mm                 |
| D  | 23 mm                 |
| B  | 20 mm                 |
| Tolerance shaft                            | f7 m/s                |
| Tolerance housing                          | H7 m/s                |
| Specific dynamic load factor K             | 40 N/mm <sup>2</sup>  |
| Specific static load factor K <sub>0</sub> | 120 N/mm <sup>2</sup> |
| Permissible sliding velocity v min.        | 0 m/s                 |
| Permissible sliding velocity v max.        | 1 m/s                 |
| Coefficient of friction μ min.             | 0.08                  |
| Coefficient of friction μ max.             | 0.15                  |
| Mass bushing                               | 0.017 kg              |