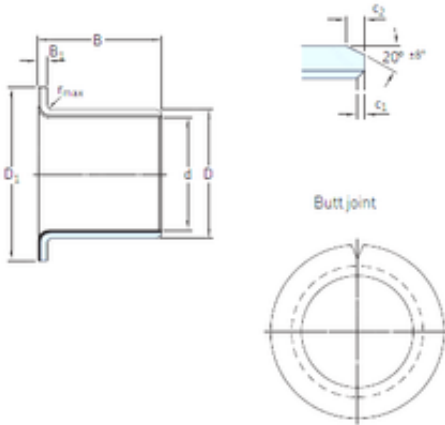




SNR BEARING CORP.OF AMERICA

12 mm x 14 mm x 17 mm skf PCMF 121417 E
Plain bearings,Bushings



Bearing No. PCMF 121417 E

PCMF 121417 E Bearing 2D drawings and 3D CAD models

Size	12x14x17 mm
Bore Diameter	12 mm
Outer Diameter	14 mm
Width	17 mm
d	12 mm
D	14 mm
B	17 mm
c1 min	0,1 mm
c2 min	0,2 mm
r max	1 mm
B1	1 mm
D1	20 mm
Weight	0,0066 Kg
Dynamic load rating radial (C)	14,3 kN
Dynamic load rating axial (C)	9,15 kN
Static load rating radial (C0)	45 kN
Category	Plain Bearings
Inventory	0.0
Manufacturer Name	SKF
Minimum Buy Quantity	N/A
Weight / Kilogram	0.165
EAN	7316571886428
Product Group	B04264
D ₁	20 mm



SNR BEARING CORP.OF AMERICA

B_1	1 mm
c_1 min.	0.1 mm
c_1 max.	0.6 mm
c_2 min.	0.2 mm
c_2 max.	1 mm
± 8	20 °
r max.	1 mm
Tolerance shaft	f7
Tolerance housing	H7
Basic dynamic load rating - radial direction C	14.3 kN
Basic static load rating - radial direction C_0	45 kN
Basic dynamic load rating - axial direction C_a	9.15 kN
Basic static load rating - axial direction C_{0a}	28.5 kN
Specific dynamic load factor K	80 N/mm ²
Specific static load factor K_0	250 N/mm ²
Factor depending on material and bearing type K_M	480
Permissible sliding velocity v min.	0 m/s
Permissible sliding velocity v max.	2 m/s
Coefficient of friction μ min.	0.03
Coefficient of friction μ max.	0.25
Mass bushing	0.0066 kg