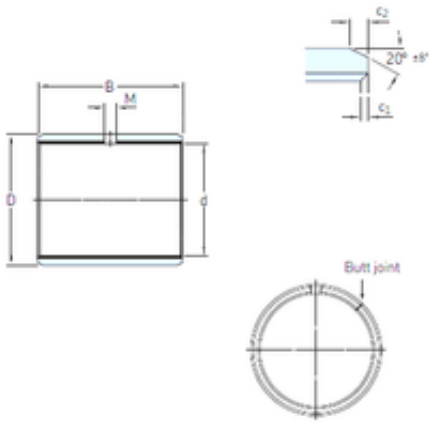




SNR BEARING CORP.OF AMERICA



60 mm x 65 mm x 60 mm skf PCM 606560 E
Plain bearings,Bushings

Bearing No. PCM 606560 E

PCM 606560 E Bearing 2D drawings and 3D CAD models

Size	60x65x60 mm
Bore Diameter	60 mm
Outer Diameter	65 mm
Width	60 mm
d	60 mm
D	65 mm
B	60 mm
c1 min	0,2 mm
c2 min	1,2 mm
M	– mm
Weight	0,22 Kg
Basic dynamic load rating (C)	285 kN
Category	Plain Bearings
Inventory	0.0
Manufacturer Name	SKF
Minimum Buy Quantity	N/A
Weight / Kilogram	0.237
EAN	7316571902692
Product Group	B04264
bushing type:	Plain
bushing material:	PTFE
inside diameter:	60 mm
overall outside diameter:	65 mm
bushing outside diameter:	65 mm
groove type:	Plain Interior



SNR BEARING CORP.OF AMERICA

overall length:	60 mm
ground type:	Ground
c ₁ min.	0.2 mm
c ₁ max.	1 mm
c ₂ min.	1.2 mm
c ₂ max.	2.4 mm
± 8	20 °
Tolerance shaft	f7
Tolerance housing	H7
Basic dynamic load rating - radial direction C	285 kN
Basic static load rating - radial direction C ₀	880 kN
Specific dynamic load factor K	80 N/mm ²
Specific static load factor K ₀	250 N/mm ²
Factor depending on material and bearing type K _M	480
Permissible sliding velocity v min.	0 m/s
Permissible sliding velocity v max.	2 m/s
Coefficient of friction μ min.	0.03
Coefficient of friction μ max.	0.25
Mass bushing	0.22 kg