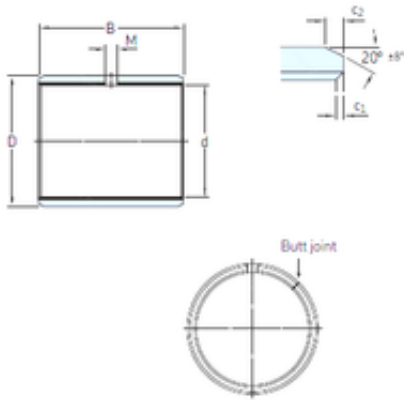




SNR BEARING CORP.OF AMERICA



38,1 mm x 42,069 mm x 50,8 mm skf PCZ 2432
M Plain bearings, Bushings

Bearing No. PCZ 2432 M

PCZ 2432 M Bearing 2D drawings and 3D CAD models

Size	38.1x42.069x50.8 mm
Bore Diameter	38,1 mm
Outer Diameter	42,069 mm
Width	50,8 mm
d	38,1 mm
D	42,069 mm
B	50,8 mm
c1 min	0,1 mm
c2 min	0,8 mm
M	4 mm
Weight	0,085 Kg
Basic dynamic load rating (C)	228 kN
c ₁ min.	0.1 mm
c ₁ max.	0.7 mm
c ₂ min.	0.8 mm
c ₂ max.	1.6 mm
± 8	20 °
Shaft diameter range min.	37.765 mm
Shaft diameter range max.	37.805 mm
Housing bore range min.	42.067 mm
Housing bore range max.	42.093 mm
Basic dynamic load rating - radial direction C	228 kN
Basic static load rating - radial direction C ₀	475 kN



SNR BEARING CORP.OF AMERICA

Specific dynamic load factor K	120 N/mm ²
Specific static load factor K ₀	250 N/mm ²
Factor depending on material and bearing type K _M	1900
Permissible sliding velocity v min.	0 m/s
Permissible sliding velocity v max.	2.5 m/s
Coefficient of friction μ min.	0.02
Coefficient of friction μ max.	0.2
Mass bushing	0.085 kg