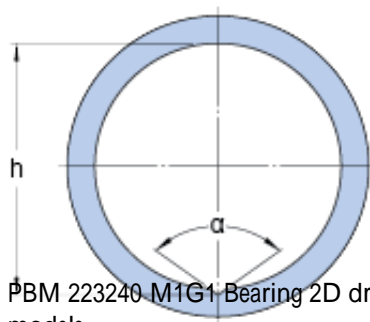
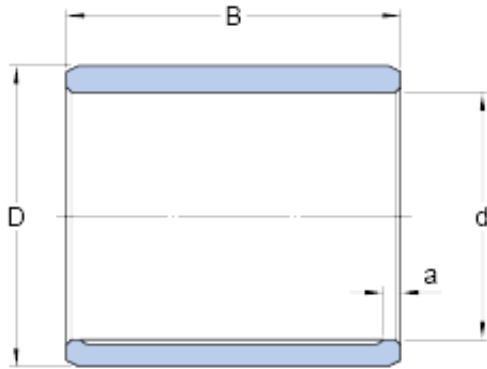




SNR BEARING CORP.OF AMERICA



PBM 223240 M1G1 Bearing 2D drawings and 3D CAD models

22 mm x 32 mm x 40 mm skf PBM 223240 M1G1 Plain bearings,Bushings

Bearing No. PBM 223240 M1G1

d	22 mm
D	32 mm
B	40 mm
a	3 mm
h	23 mm
	105 °
Tolerance shaft	e7
Tolerance housing	H7
Specific dynamic load factor K	25 N/mm ²
Specific static load factor K ₀	45 N/mm ²
Permissible sliding velocity v min.	0 m/s
Permissible sliding velocity v max.	0.5 m/s
Coefficient of friction μ min.	0.08
Coefficient of friction μ max.	0.15
Mass bushing	0.15 kg